

# GENERAL NOTES: ROOF REPLACEMENT

- 1 ALL DIMENSIONS, EQUIPMENT, AND PENETRATION LOCATIONS PRESENTED ON THE DRAWINGS ARE CONSIDERED APPROXIMATE. CONTRACTOR SHALL FIELD VERIFY ALL CONDITIONS.
- 2 DETAILS ARE DESIGNATED AT REPRESENTATIVE LOCATIONS. EACH LOCATION AND SIMILAR CONDITIONS ARE TO BE TREATED ACCORDINGLY.  
  
TYPICAL DETAIL DESIGNATION: 

1	DETAIL NUMBER
RP1	SHEET NUMBER
- 3 UNLESS INDICATED BY THE TERM "EXISTING", ITEMS PRESENTED ON DETAIL DRAWINGS ARE CONSIDERED TO BE NEW AND FURNISHED BY CONTRACTOR.
- 4 TYPICAL EXISTING ROOF CONSTRUCTION ENCOUNTERED AT PCI CORE LOCATIONS IS AS FOLLOWS:  
GRAVEL SURFACED BUILT-UP ROOF ROOF MEMBRANE OVER PERLITE INSULATION OVER STRUCTURAL CONCRETE DECK.
- 5 REMOVE EXISTING ROOF, INSULATION, FLASHING, AND SHEET METAL DOWN TO THE EXISTING CONCRETE METAL DECK.
- 6 TYPICAL NEW ROOF CONSTRUCTION IS AS FOLLOWS:  
POLYISOCYANURATE INSULATION COMPLYING WITH IBC SECTION 1508 AND TABLE 1508.2; TO ACHIEVE MINIMUM TOTAL R-VALUE OF 25; TWO LAYERS OF 2.2-INCH (4.4-INCHES TOTAL) POLYISOCYANURATE ADHERED WITH FOAM ADHESIVE TO EXISTING STRUCTURAL CONCRETE, SUBSEQUENT LAYERS OF TAPERED POLYISOCYANURATE INSULATION AND COVERBOARD ADHERED WITH FOAM ADHESIVE, AND A THERMOPLASTIC SINGLE-PLY MEMBRANE COMPLYING WITH IBC SECTION 1507.11; SECTION 1505.2: CLASS "A" FIRE CLASSIFICATION AND 2015 IECC TABLE C402.3 TO HAVE MINIMUM 3-YEAR AGED SOLAR REFLECTANCE OF 0.55 AS TESTED PER ASTM C1549; E903; E1175; OR E1918 AND A MINIMUM 3-YEAR AGED THERMAL EMITTANCE OF 0.75 AS TESTED PER ASTM C835; C1371, OR E408; OR A 3-YEAR AGED SOLAR REFLECTIVE INDEX OF 0.65 AS DETERMINED IN ACCORDANCE WITH ASTM E1980.
- 7 PROVIDE PREFORMED MEMBRANE BOOT FLASHING FOR CIRCULAR ROOF PENETRATIONS, AND, LIQUID FLASHING SYSTEM FOR ANGLES, LIGHTS, STAIR/LADDER, SUPPORTS & OTHER SIMILAR PENETRATIONS THROUGH THE ROOF SYSTEM.
- 8 INSTALL WALK PADS AT ROOF ACCESS POINTS, AROUND SERVICEABLE EQUIPMENT, AND AT OTHER HIGHLY TRAFFICKED AREAS.
- 9 PROVIDE NEW PRESSURE TREATED "KDAT" WOOD BLOCKING/NAILERS AS DESIGNATED ON DRAWINGS. BLOCKING/NAILERS, &/OR COMBINATION WITH PLYWOOD/OSB SHEATHING TO MATCH THICKNESS OF INSULATION AT RESPECTIVE LOCATIONS, AND WIDTH TO EXTEND BEYOND EDGE OF METAL FLANGE (MIN. 1-INCH) WHERE APPLICABLE.
- 10 AT DESIGNATED PARAPET WALL LOCATIONS, AND AS REQUIRED TO ACHIEVE PROPER FLASHING HEIGHTS; PROVIDE NEW PRESSURE TREATED "KDAT" WOOD BLOCKING/NAILERS, &/OR COMBINATION WITH PLYWOOD/OSB SHEATHING TO CREATE 1"/FT SLOPE TO INSIDE EDGE OF COPING.
- 11 AT ROOF DRAINS SECURE CLAMP RINGS WITH STAINLESS STEEL BOLTS, WASHERS, NUTS; AND PAINT CLAMP RINGS AND STRAINERS; REPLACE BROKEN COMPONENTS; WATER TEST ROOF DRAINS AND REPLACE ASSEMBLIES THAT ARE NOT WATER TIGHT.

- 12 INSTALL NEW ROOF SYSTEM TESTED IN ACCORDANCE WITH FM 4470/4474 TO MEET SPECIFIED WIND UPLIFT PRESSURES AS FOLLOWS:

ASCE 7-10 WIND UPLIFT PRESSURES	WIND SPEED: 145MPH EXPOSURE: B
EAVE HEIGHT UNDER 30FT	BUILDING CATEGORY: ENCLOSED RISK CATEGORY III/V SAFETY FACTOR: 2
FIELD	45.0 PSF
PERIMETER (10' WIDE)	75.0 PSF
CORNER 10'X10'	112.5 PSF

- 13 PROVIDE AND INSTALL TAPERED INSULATION TO CREATE SUMPS AROUND ROOF DRAINS, AT SCUPPERS, AND ALONG GUTTERS.
- 14 APPLICABLE CODES 2012 IBC, ASHRAE 90.1-2013.
- 15 COOL ROOF GUIDELINES, SECTION 502.5-2015 IECC.
- 16 SITE AND WORK AREAS SHALL BE CLEANED ON A DAILY BASIS AND MATERIALS/EQUIPMENT SECURED AT THE END OF EACH WORK DAY.
- 17 PROTECT BUILDING EXTERIOR AND GROUNDS INCLUDING SURFACES, GRASS, PLANTS, TREES, SHRUBS, AND OTHER LANDSCAPING, AND RETURN THE SITE AND ANY DAMAGED ITEMS TO ORIGINAL OR BETTER CONDITION. ANY SURFACES STAINED, MARRED, OR DAMAGED BY THE WORK SHALL BE RETURNED TO ORIGINAL OR BETTER CONDITION AND MATCH ADJACENT SURFACES.
- 18 AT DESIGNATED RISE WALL LOCATIONS, AND AS REQUIRED TO ACHIEVE PROPER FLASHING HEIGHTS. REMOVE/RETAIN EXISTING MASONRY (REPLACE AND MATCH WHERE NECESSARY); INSTALL NEW STAINLESS STEEL SHEET METAL THROUGH-WALL FLASHING AND FLEXIBLE FLASHING; REINSTALL MASONRY TO ACHIEVE PROPER FLASHING HEIGHTS FOR NEW ROOF.
- 19 REMOVE ABANDONED EQUIPMENT, CURBS, PENETRATIONS, PADS, AND/OR OTHER ITEMS ON ROOF AND REPAIR DECK OR OPENING TO RECEIVE NEW ROOF.
- 20 REPLACE EXISTING SHEET METAL EDGE FLASHING AND INSTALL NEW PRE MANUFACTURED OR SHOP-FABRICATED ASSEMBLIES TO COMPLY WITH ANSI/SPRI ES-1; RE-1; RE-2; AND RE-3 TEST STANDARDS TO MEET 145 PSF HORIZONTAL AND 300 PSF VERTICAL LOADS.
- 21 ROOFING WORK TO BE COORDINATED WITH MEP WORK ASSOCIATED WITH INSTALLATION OF NEW ROOF-TOP EQUIPMENT, UTILITIES, SUPPORTS, ETC. AND PROVIDE APPLICABLE FLASHINGS, PROTECTION PADS, WALK PADS. RELATED ACCESSORIES AT RESPECTIVE LOCATIONS.



PRICE CONSULTING, INC.  
211 HIGHLAND CROSS, SUITE 220  
HOUSTON, TEXAS 77024  
PHONE: (281) 209-7724  
FAX: (281) 209-2724  
PC PROJECT NO.: 11992.21  
TX P.E. FROM # F-3814

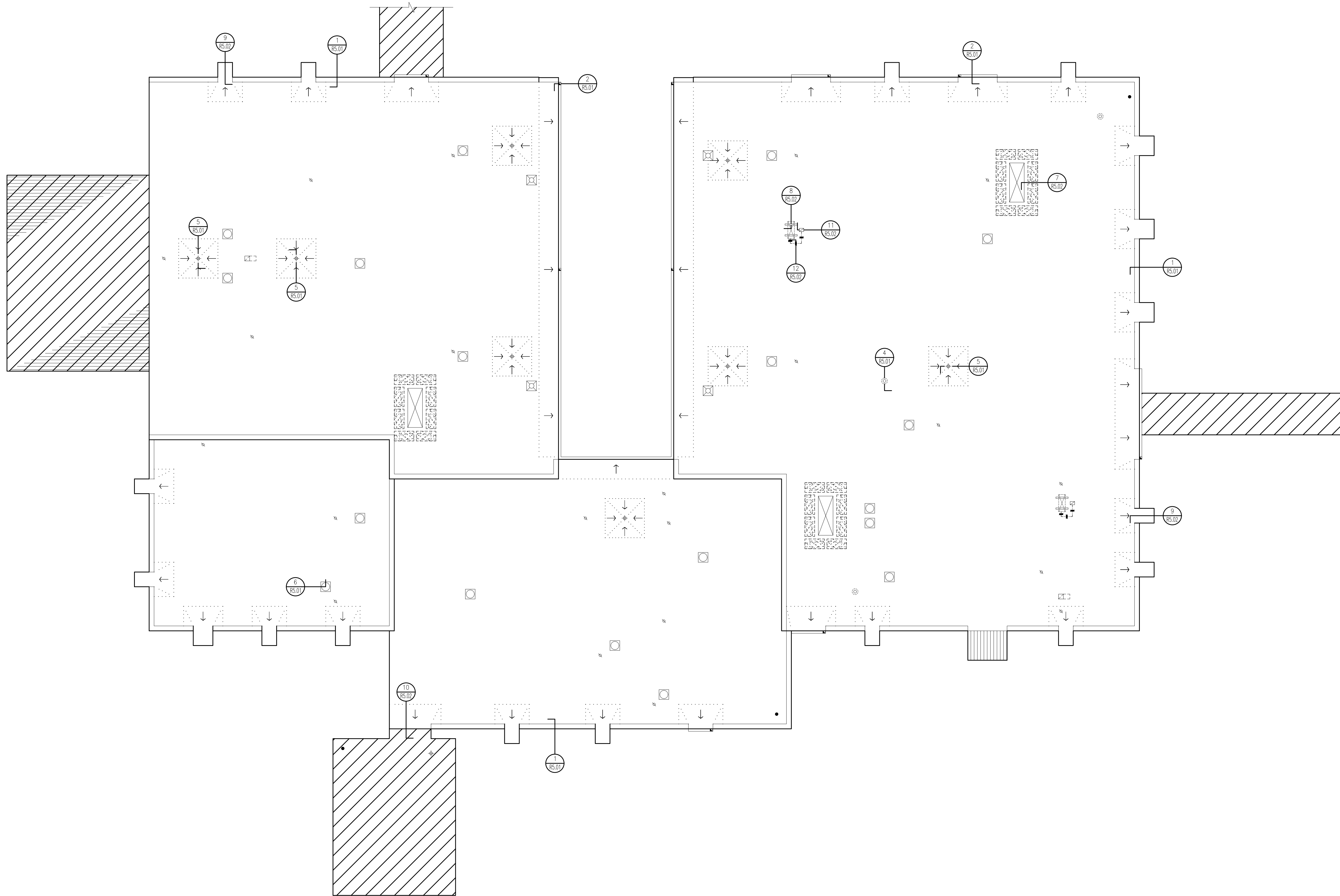


SMITH BUILDING RENOVATION  
SPINDLETOP CENTER  
655 S. BTH Street  
BEAUMONT, TX 77701

ISSUED FOR SCHEMATIC DESIGN	<input type="checkbox"/>
DATE: _____	
DESIGN DEVELOPMENT	<input type="checkbox"/>
DATE: _____	
BIDS & CONSTRUCTION	<input checked="" type="checkbox"/>
DATE: 09/27/22	
REVISION:	
DATE: _____	
REVISION:	
DATE: _____	
REVISION:	
DATE: _____	

DRAWINGS SHEET TITLE  
**GENERAL NOTES**

SHEET NUMBER  
**R1.01**  
21032  
PROJECT NUMBER



LEGEND			
○	OVERFLOW DRAIN	⊗	PLUMBING VENT
⊕	ROOF DRAIN	⊙	HEAT EXHAUST
⊖	WALL DRAIN	⊗	CURBED HEAT EXHAUST
⊕	SUMPED DRAIN	⊙	GRAVITY VENT
⊖	POWER VENT	⊗	GRAVITY VENT
⊕	CURBED VENT STACK	⊙	TURBINE VENT
⊖	CURBED TURBINE VENT	⊗	MOISTURE RELIEF VENT
⊕	ABANDONED PENETRATION	⊙	PITCH PAN
⊖	PIPING ON HANGERS	⊗	ROUND PENETRATION
⊕	PIPING ON SUPPORTS	⊙	GOOSENECK PENETRATION
⊖	CONDENSATION DRAIN LINE	⊗	TIE-BACK
⊕	W - CHILL / HOT WATER	⊙	DAWT
⊖	AT AIR TERMINAL	⊗	PIPE BOX
⊕	THROUGH-ROOF CONNECTION	⊙	LIGHT
⊖	ELECTRIC BOX/PANEL	⊗	EXPANSION JOINT
⊕	DUCT PENETRATION	⊙	ROOF-TO-WALL EXPANSION JOINT
⊖	EQUIPMENT CURB	⊗	METAL EDGE
⊕	VENT / INTAKE	⊙	SCUPPER
⊖	GRAVITY VENT	⊗	SCUPPER WITH COLLECTOR HEAD
⊕	EQUIPMENT ON SUPPORTS	⊙	WALL THICKNESS INDICATOR
⊖	EQUIPMENT ON PITCH PANS	⊗	WALL HEIGHT INDICATOR
⊕	EQUIPMENT ON SLEEPERS	⊙	SPLASHBLOCK
⊖	SATELLITE DISH	⊗	CURBED DUCT PENETRATION
⊕	SURVEILLANCE CAMERA	⊙	DUCT ON SUPPORTS
⊖	ROOF-MOUNTED LADDER	⊗	DUCT ON CURBS
⊕	CAGED LADDER	⊙	DUCT ON STEEL
⊖	WALL-MOUNTED LADDER	⊗	ROOF HATCH
⊕	WALKPAD	⊙	SMOKE HATCH
⊖	DOOR ACCESS	⊗	SKYLIGHT
⊕	SHINGLE ROOF	⊙	STRUCTURAL SKYLIGHT
⊖	ANTENNA	⊗	STRUCTURAL SKYLIGHT
⊕	AREA IDENTIFICATION	⊙	CHIMNEY
⊖	CORE LOCATION	⊗	ROUND GOOSENECK
⊕	LEAK LOCATION	⊙	SQUARE GOOSENECK
⊖	INFRARED I.D.	⊗	RISE-WALL
⊕	TEST LOCATION	⊙	GLY WIRE ANCHOR
⊖	PHOTO LOCATION	⊗	TILE ROOF
⊕	PROBE LOCATION	⊙	METAL ROOF
⊖	SUSPECTED WET AREA	⊗	COLUMN

**ROOF PLAN: SMITH BUILDING**  
 SCALE: 1"=10'-0"(24"X36")

**Architectural Alliance Incorporated**  
 3517 W. Loop, Suite 720  
 Houston, Texas 77077  
 Tel: (281) 996-7700  
 Fax: (281) 996-7700  
 J. ROB CLARK, A.I.A.  
 RONALD J. JONES, A.I.A.  
 www.aalliance.com

**PRICE CONSULTING INC.**  
 211 HIGHLAND CROSS, SUITE 220  
 HOUSTON, TEXAS 77073  
 PHONE: (281) 209-7724  
 FAX: (281) 209-2724  
 P.O. PROJECT NO.: 1892.21  
 TX P.E. FROM # F-3814

**KARL A. SCHAACK**  
 REGISTERED PROFESSIONAL ENGINEER  
 No. 70234  
 State of Texas  
 Exp. 08/17/22  
 F-3814

**SMITH BUILDING RENOVATION**  
 SPINDLETOP CENTER  
 655 S. 8TH STREET  
 BEAUMONT, TX 77701

ISSUED FOR SCHEMATIC DESIGN	<input type="checkbox"/>
DATE:	---
DESIGN DEVELOPMENT	<input type="checkbox"/>
DATE:	---
BIDS & CONSTRUCTION	<input checked="" type="checkbox"/>
DATE:	09/27/22
REVISION:	---
DATE:	---
REVISION:	---
DATE:	---
REVISION:	---
DATE:	---

DRAWINGS SHEET TITLE  
**ROOF PLAN**

SHEET NUMBER  
**R2.00**

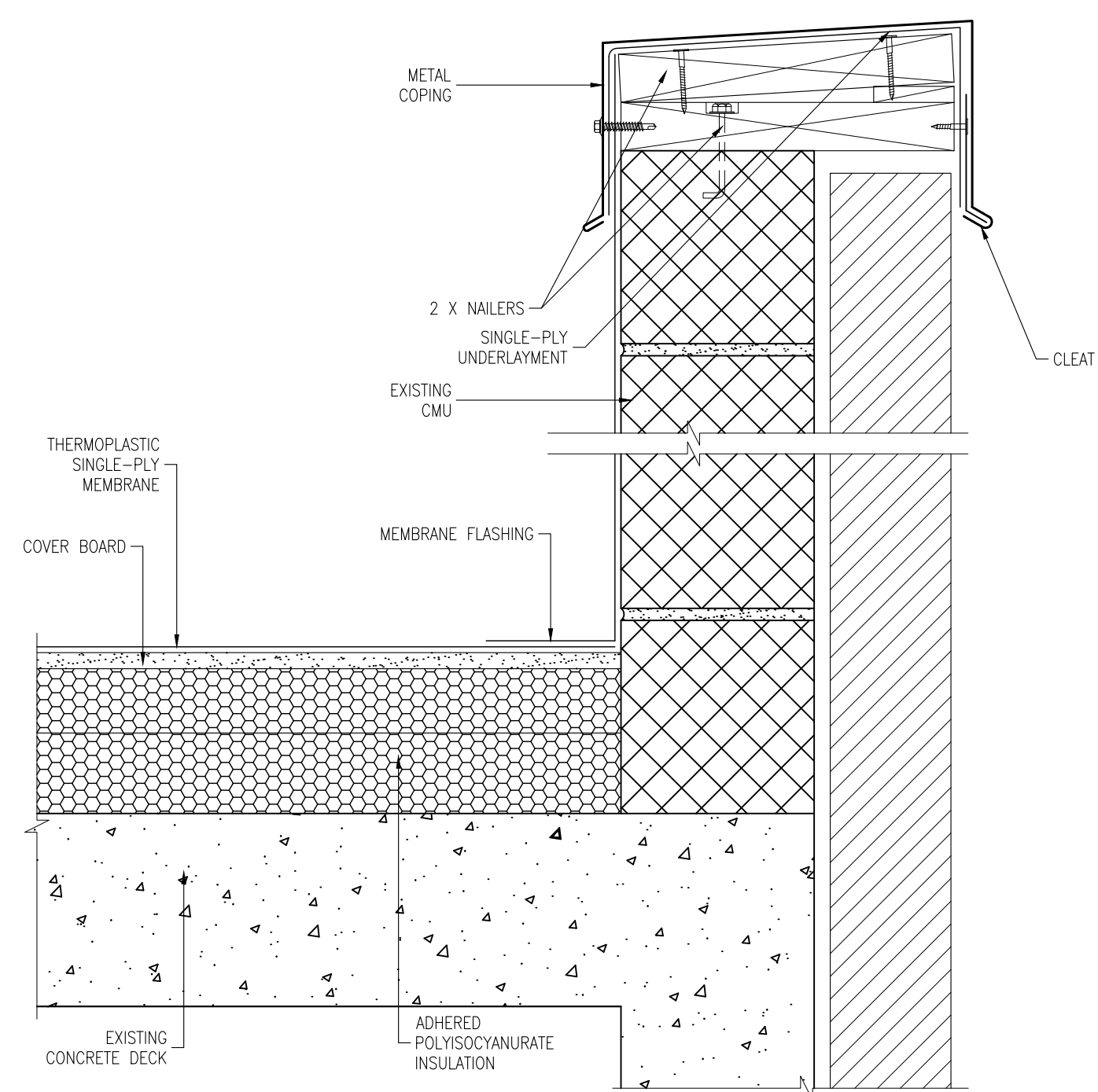
21032  
 PROJECT NUMBER

ISSUED FOR SCHEMATIC DESIGN	<input type="checkbox"/>
DATE:	
DESIGN DEVELOPMENT	<input type="checkbox"/>
DATE:	
BIDS & CONSTRUCTION	<input checked="" type="checkbox"/>
DATE:	09/27/22
REVISION:	
DATE:	
REVISION:	
DATE:	
REVISION:	
DATE:	

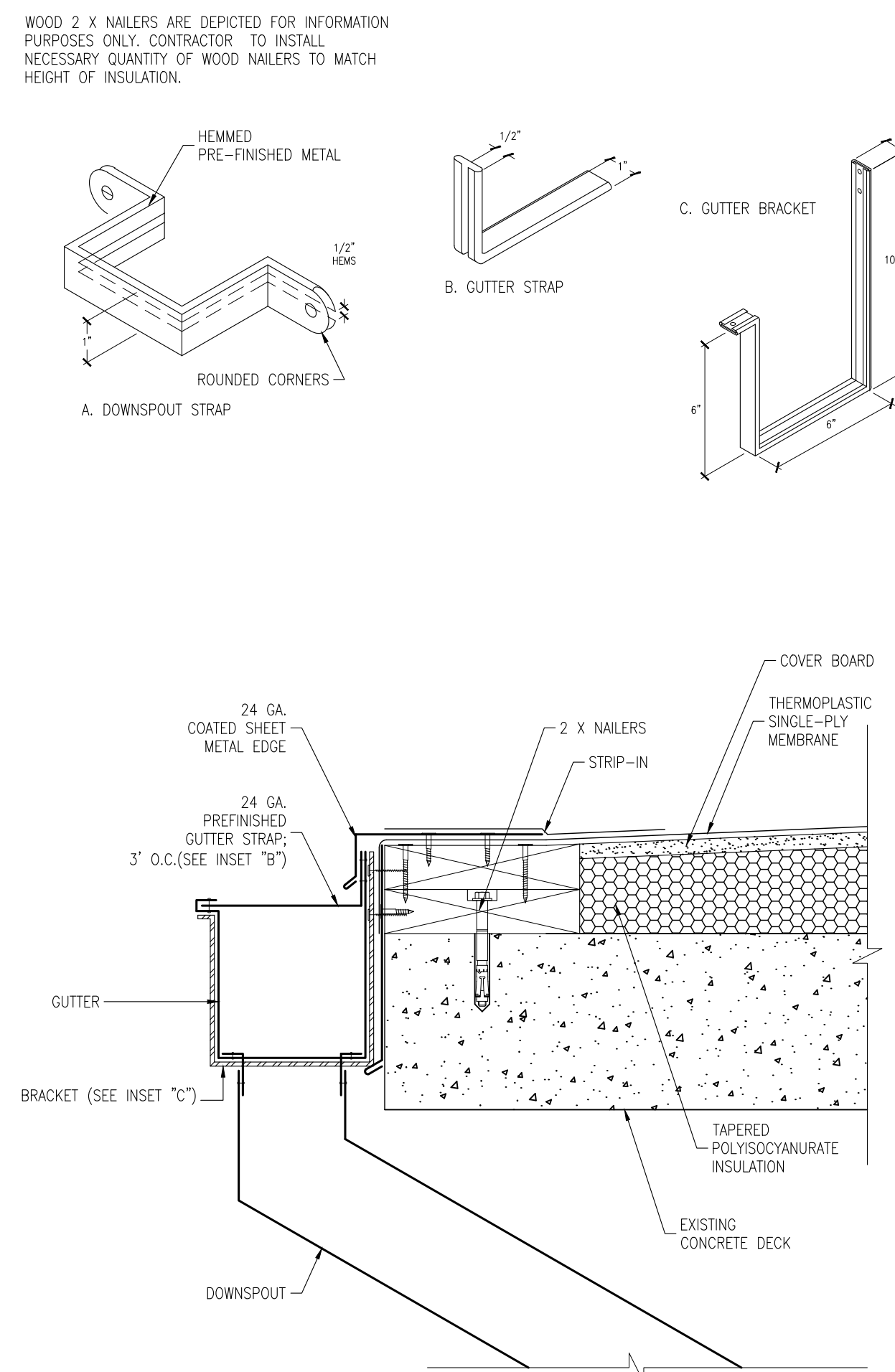
DRAWINGS SHEET TITLE  
**DETAILS**

SHEET NUMBER  
**R5.01**

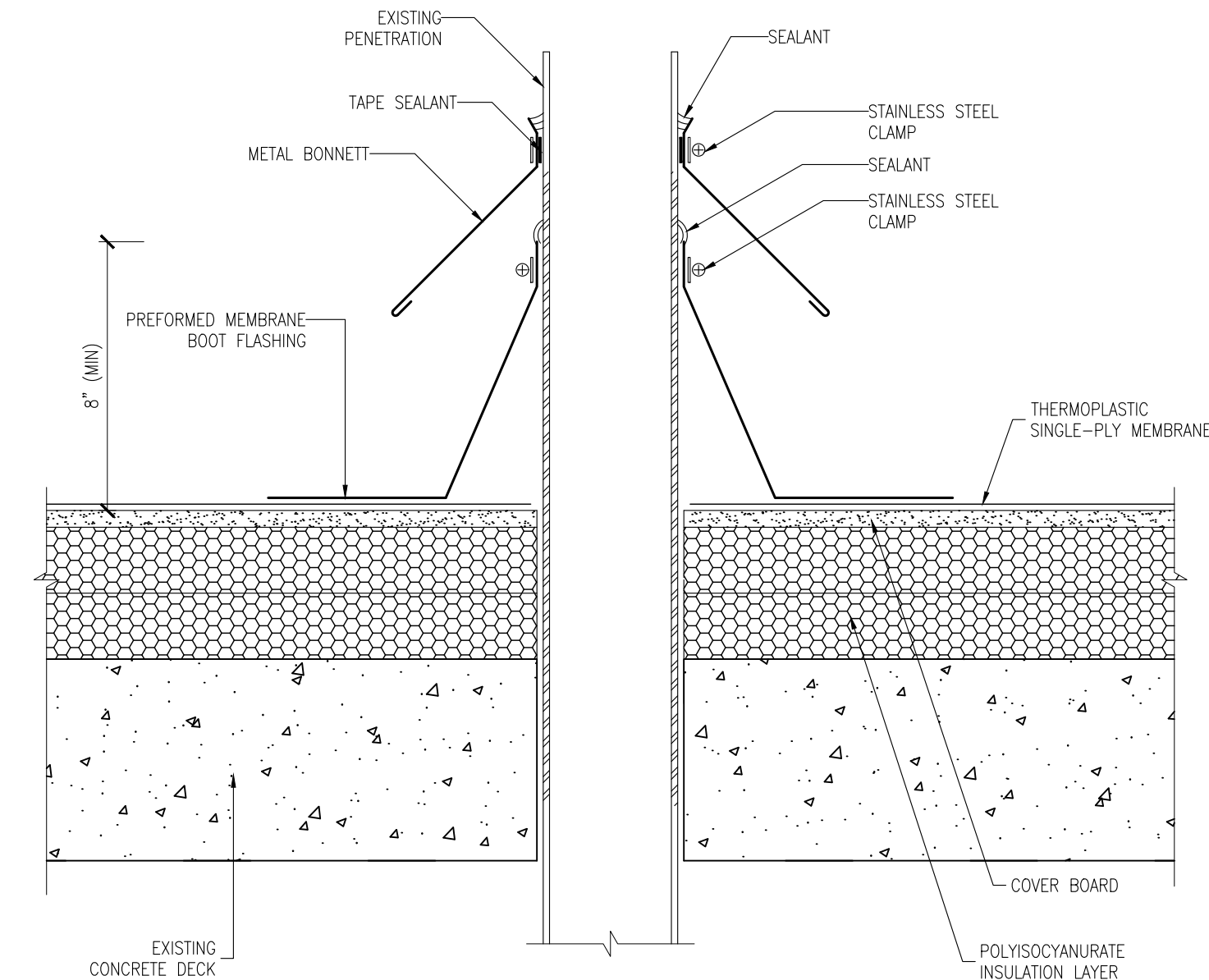
21032  
PROJECT NUMBER



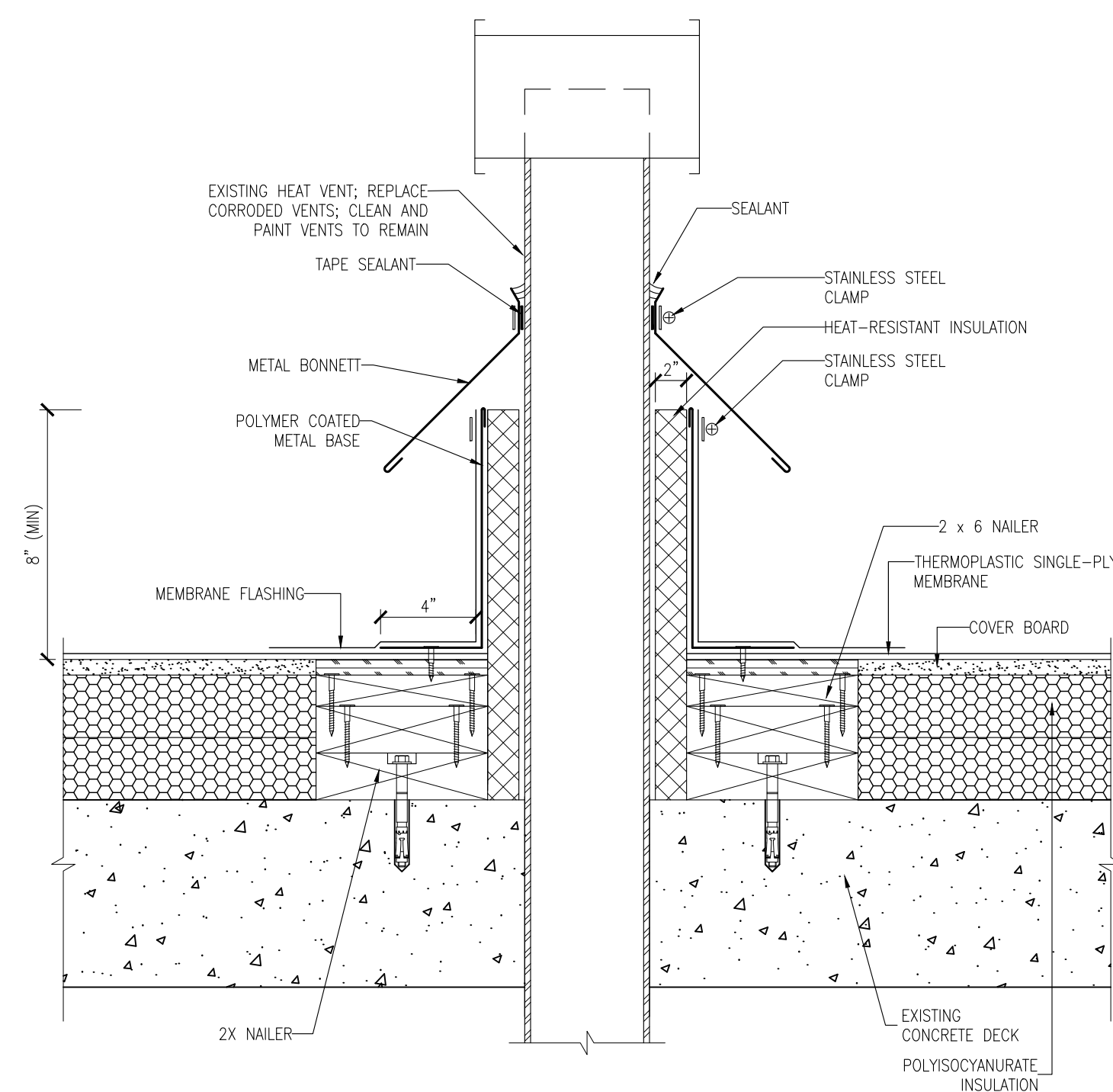
1 PARAPET  
R5.01 SCALE: NOT TO SCALE



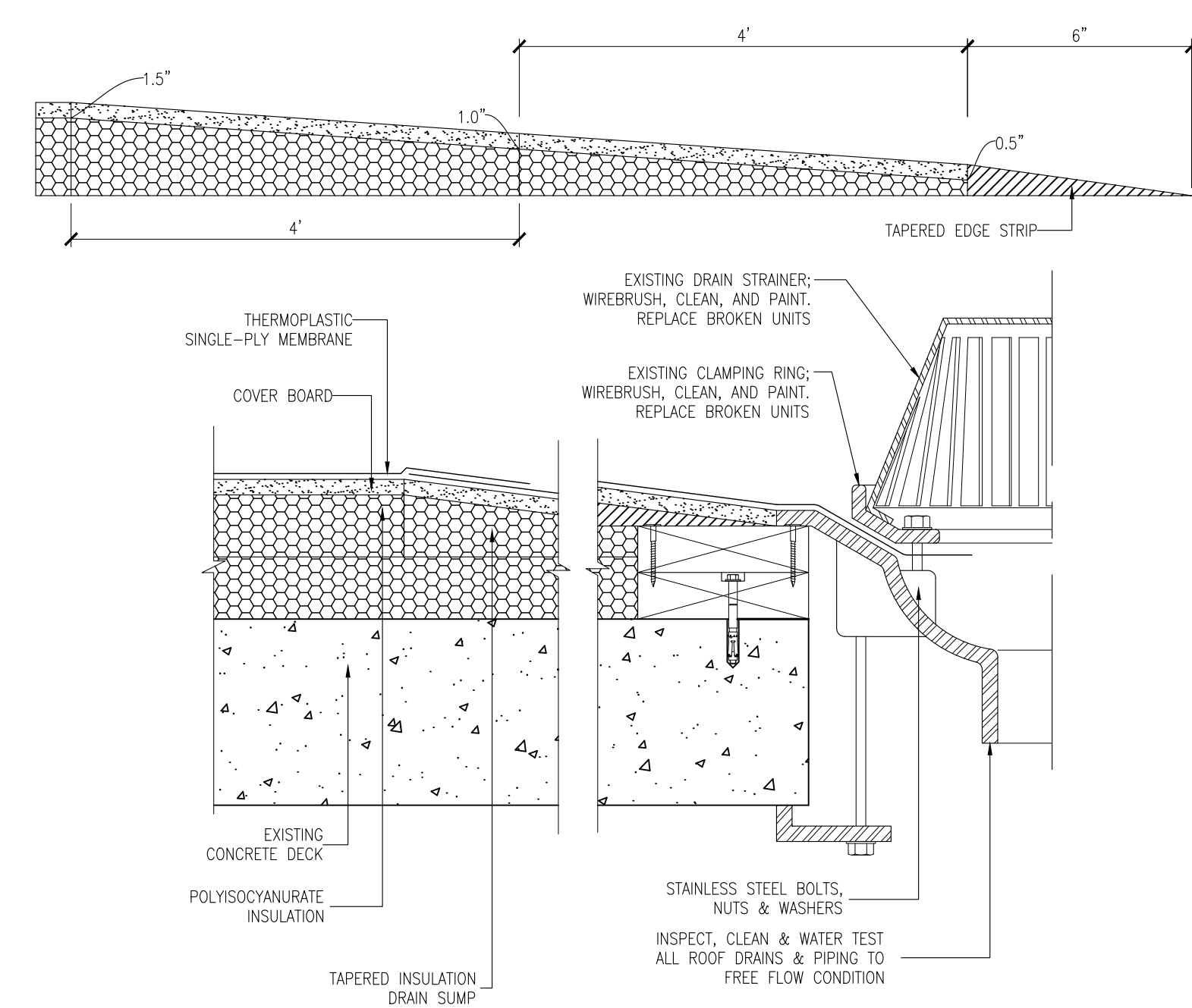
2 ROOF EDGE W/GUTTER  
R5.01 SCALE: NOT TO SCALE



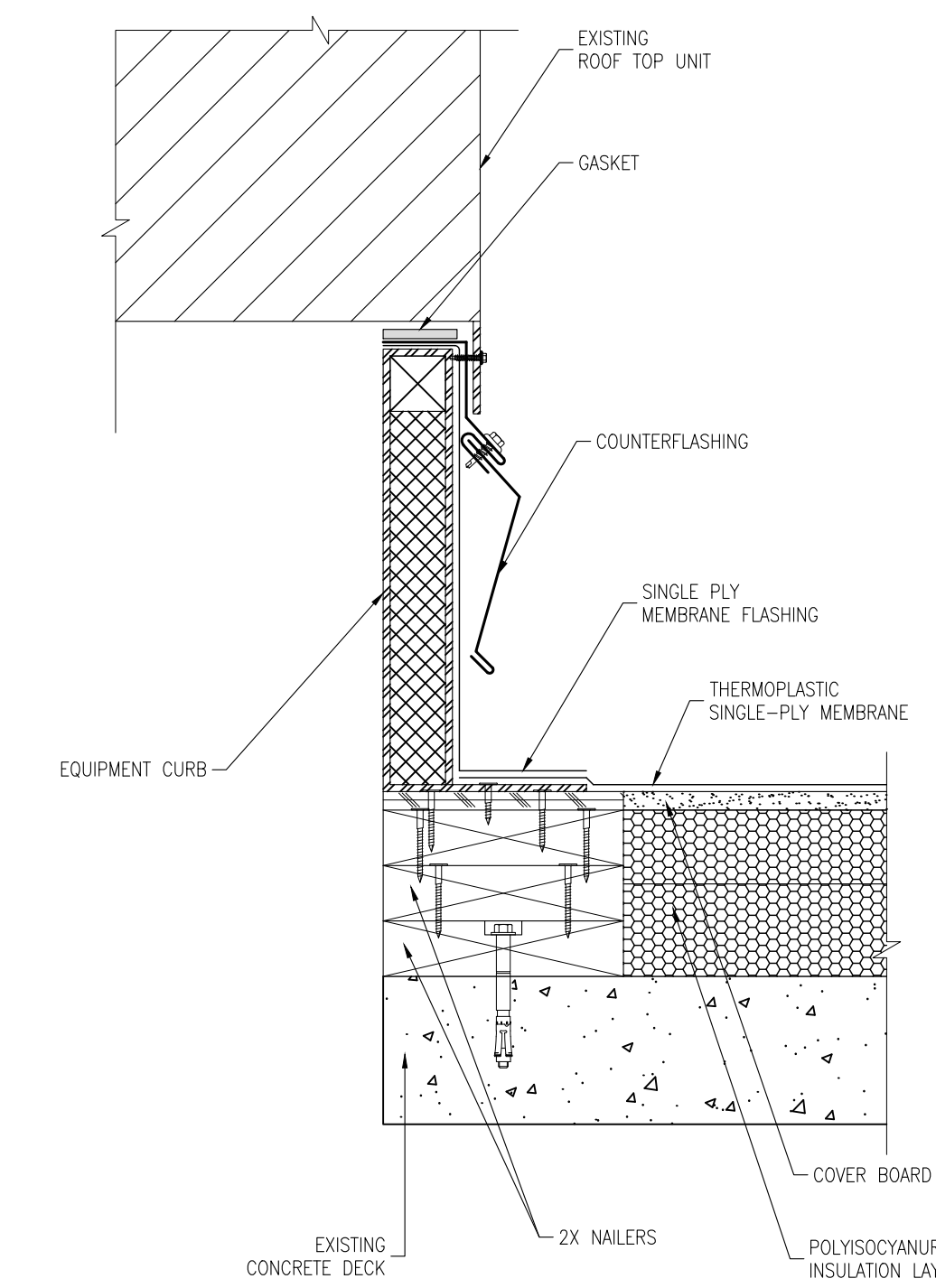
3 ROOF PENETRATION  
R5.01 SCALE: NOT TO SCALE



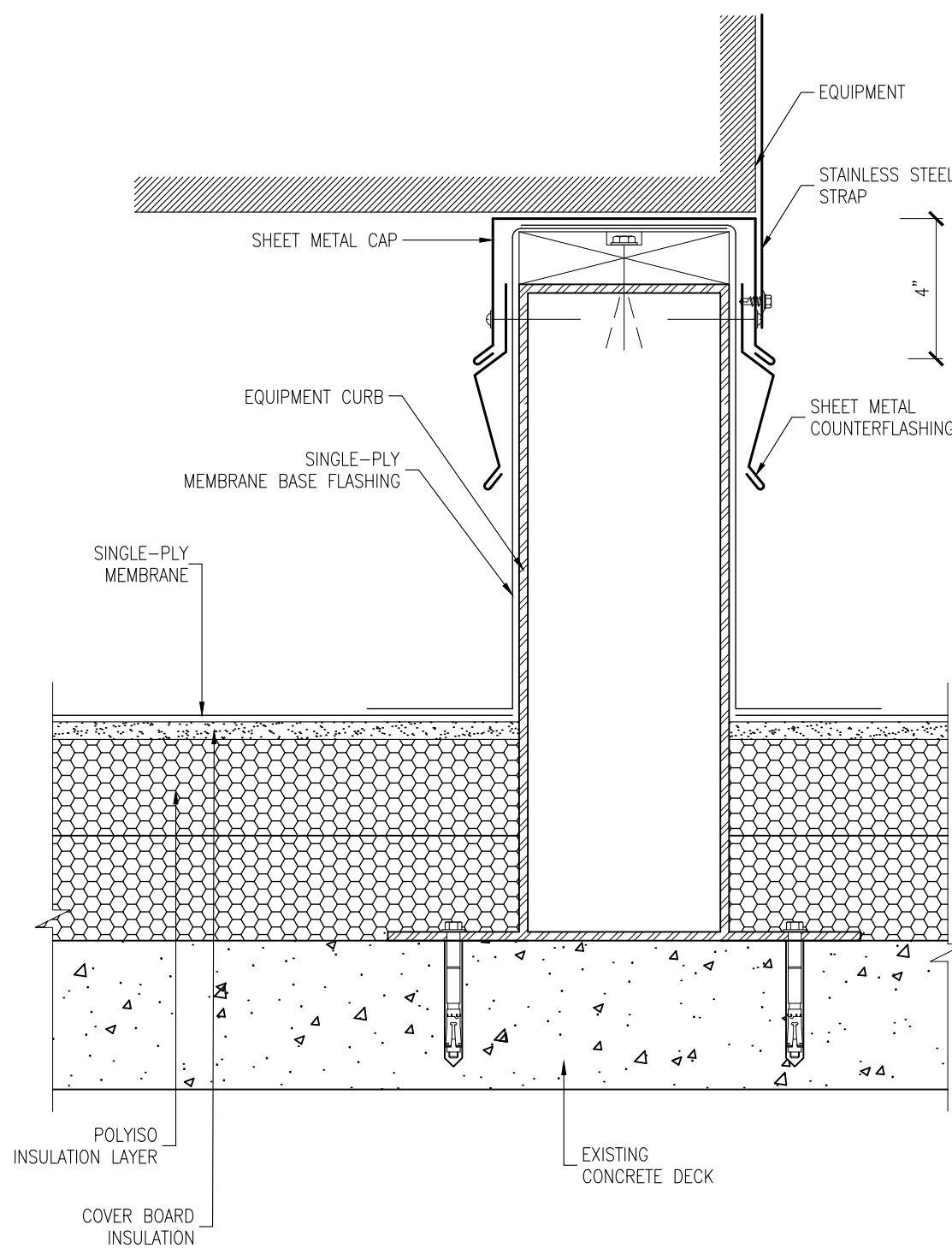
4 HEAT EXHAUST VENT  
R5.01 SCALE: NOT TO SCALE



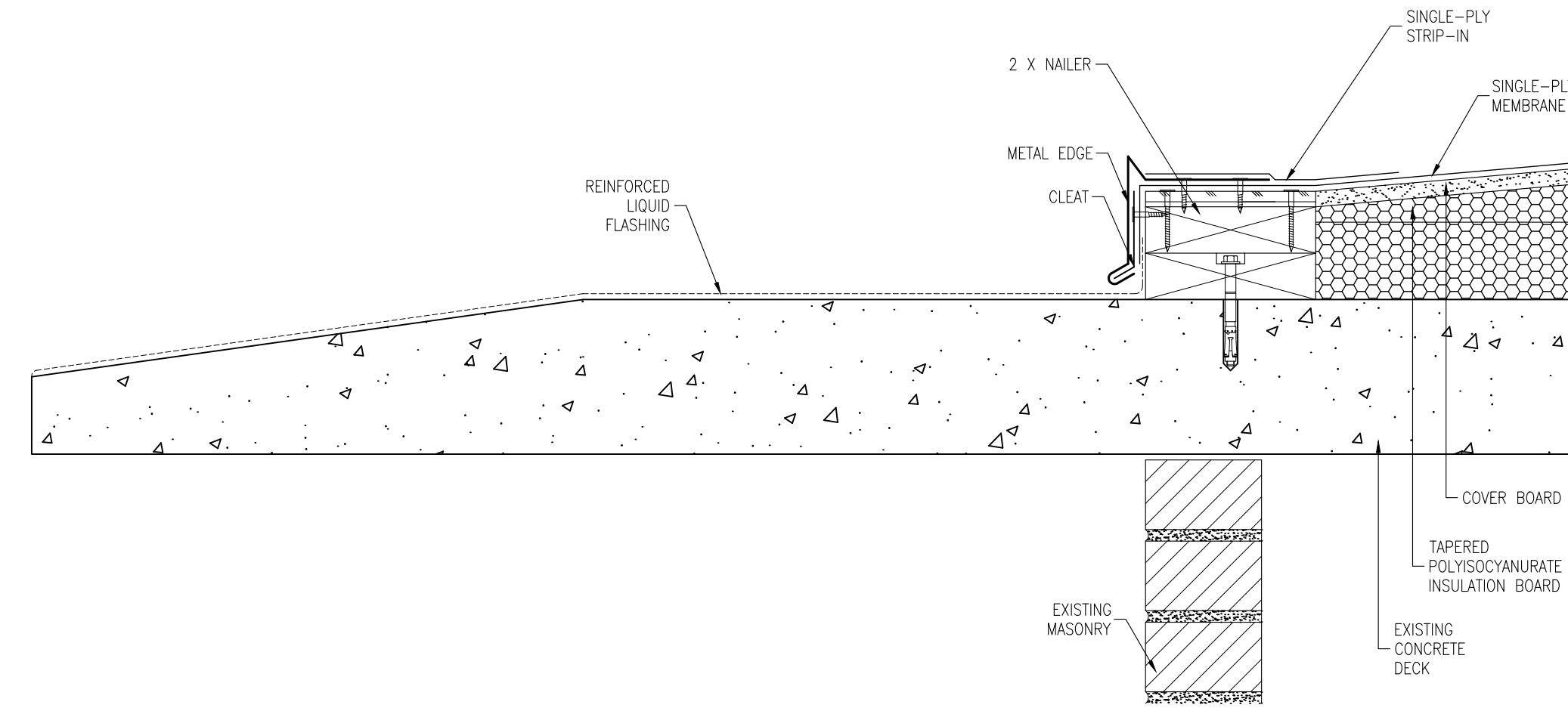
5 ROOF DRAIN  
R5.01 SCALE: NOT TO SCALE



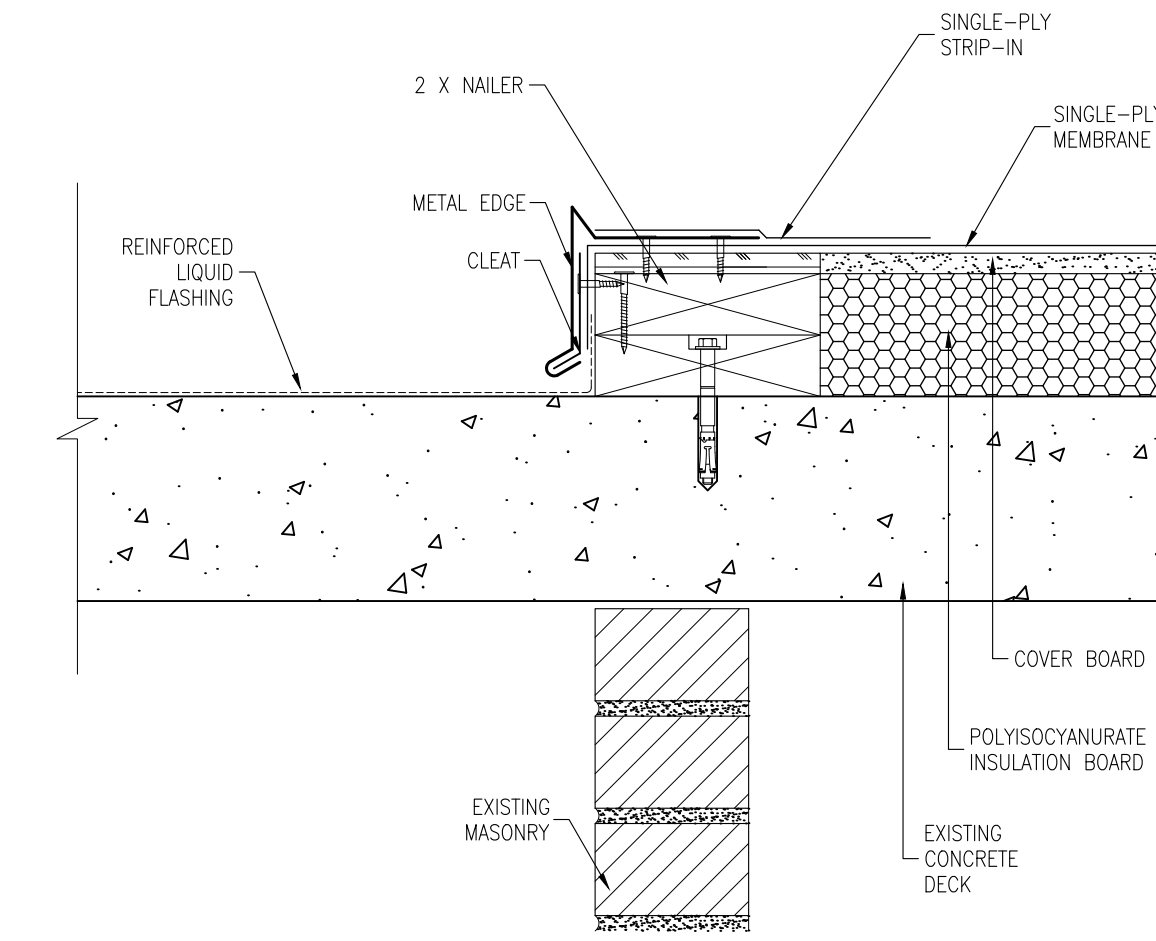
6 EQUIPMENT CURB  
R5.01 SCALE: NOT TO SCALE



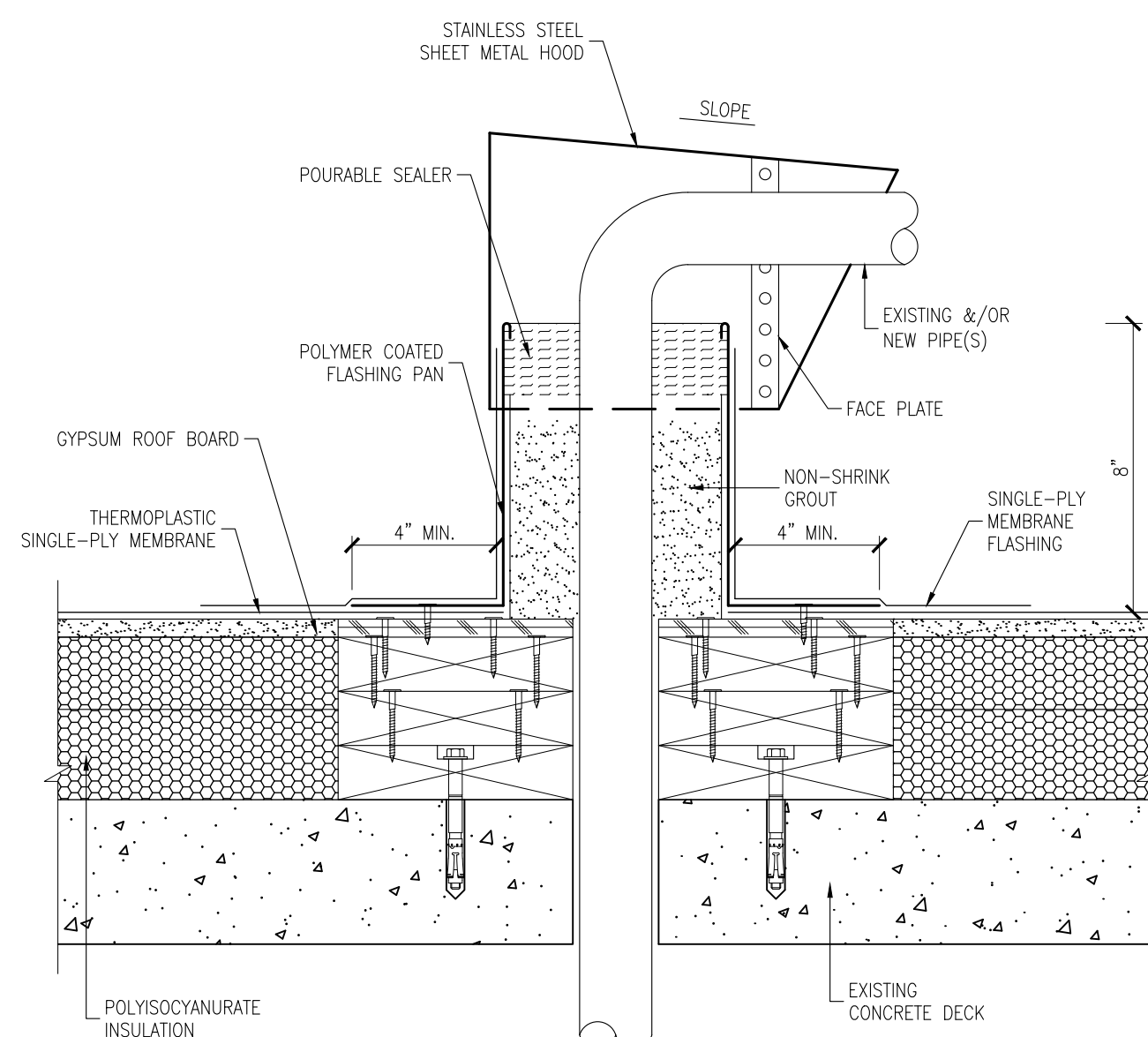
8 EQUIPMENT SUPPORT  
SCALE: NOT TO SCALE



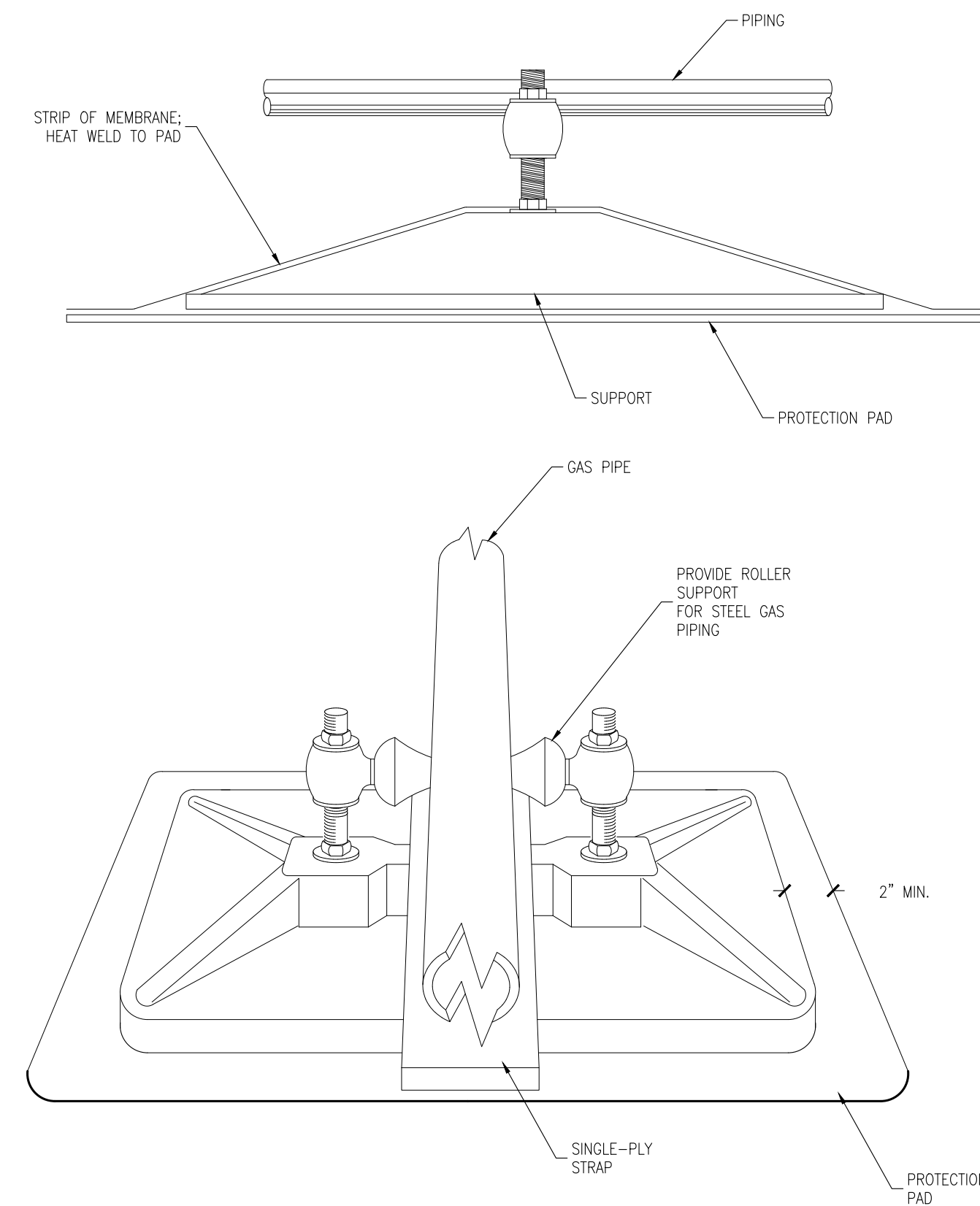
9 ROOF EDGE W/SCUPPER  
SCALE: NOT TO SCALE



10 ROOF EDGE AT CANOPY  
SCALE: NOT TO SCALE



11 PIPE BOX  
SCALE: NOT TO SCALE



12 PIPE SUPPORT  
SCALE: NOT TO SCALE



PRICE CONSULTING, INC.  
211 HIGHLAND CROSS, SUITE 220  
HOUSTON, TEXAS 77073  
PHONE: (281) 209-7724  
FAX: (281) 209-2724  
P.O. PROJECT NO.: 11892.21  
TX P.E. FRM # F-3814



SMITH BUILDING RENOVATION  
SPINDLETOP CENTER

ISSUED FOR SCHEMATIC DESIGN	<input type="checkbox"/>
DESIGN DEVELOPMENT	<input type="checkbox"/>
BIDS & CONSTRUCTION	<input checked="" type="checkbox"/>
REVISION:	DATE: 05/27/22
REVISION:	DATE:
REVISION:	DATE:
REVISION:	DATE:

DRAWINGS SHEET TITLE	DETAILS
SHEET NUMBER	R5.02
PROJECT NUMBER	21032